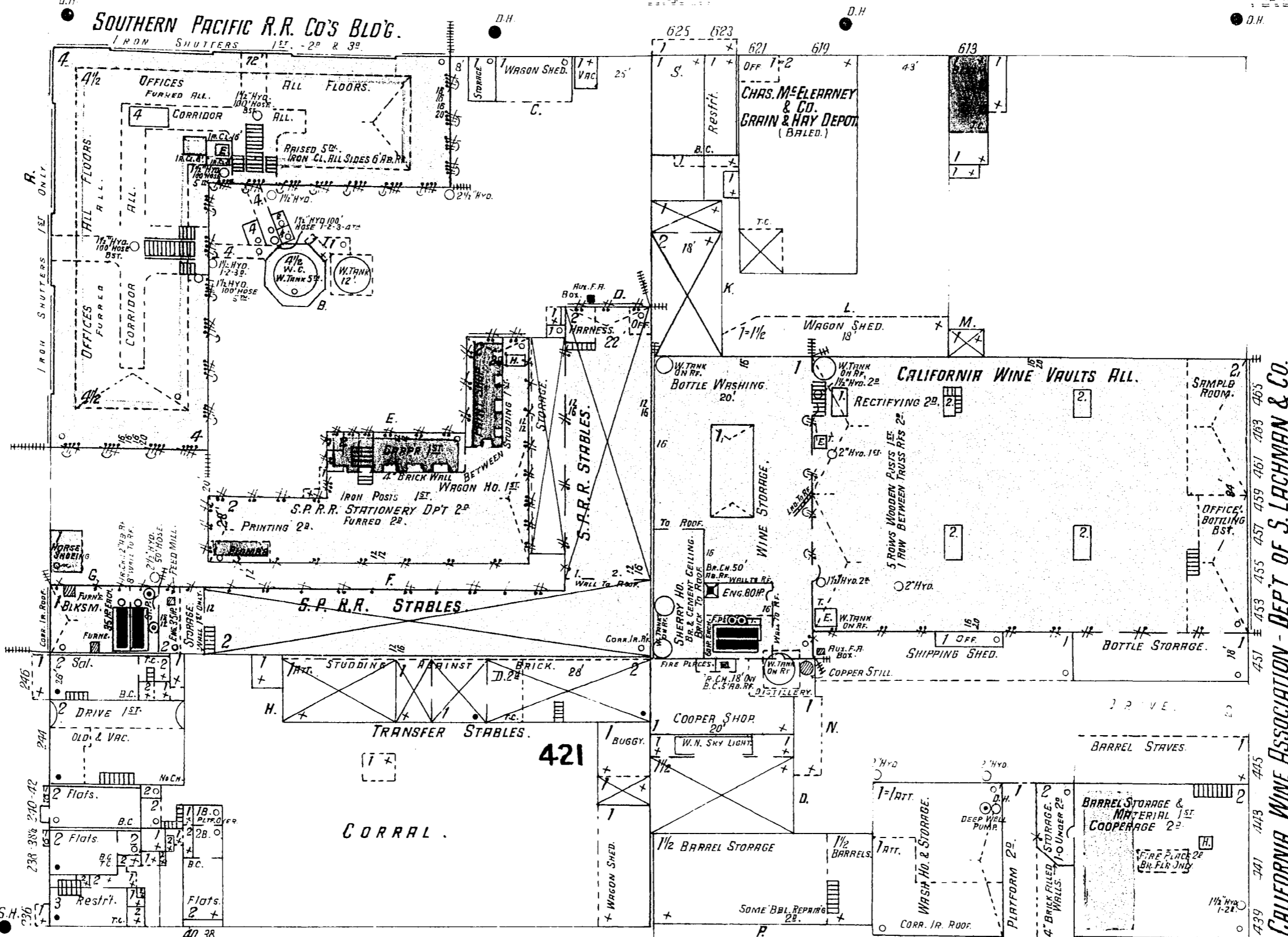


FOURTH

6" W PIPE
8 1/2" W PIPE
12" W PIPE
18" W PIPE

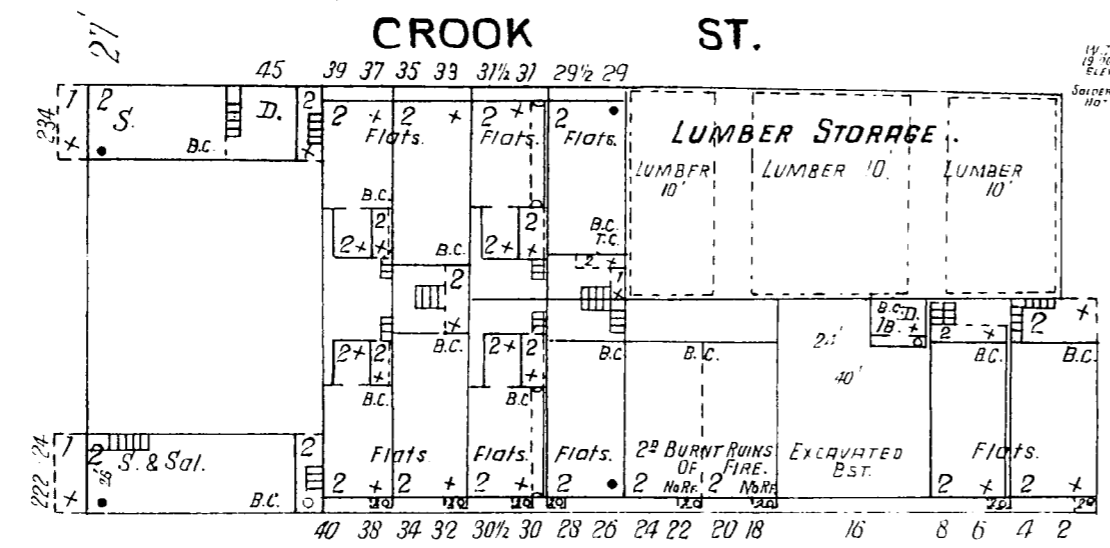
6" W PIPE
8 1/2" W PIPE
12" W PIPE
18" W PIPE



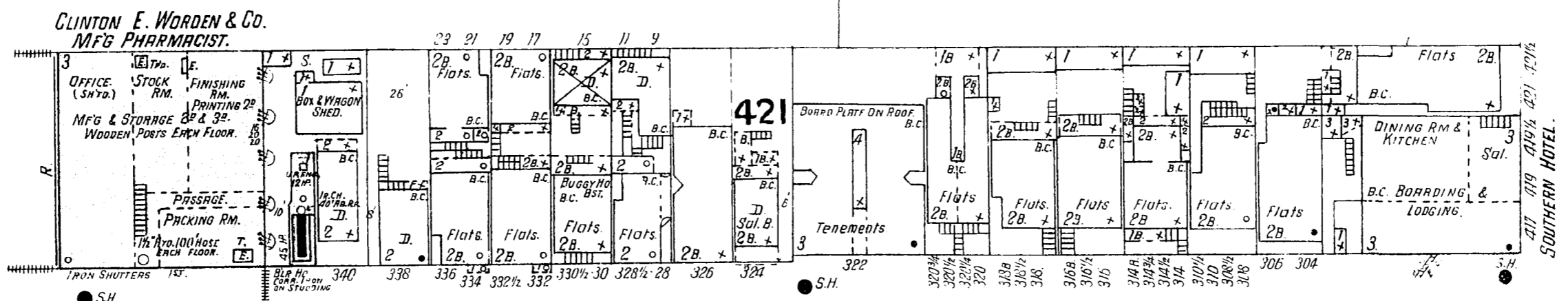
TOWNSEND

215

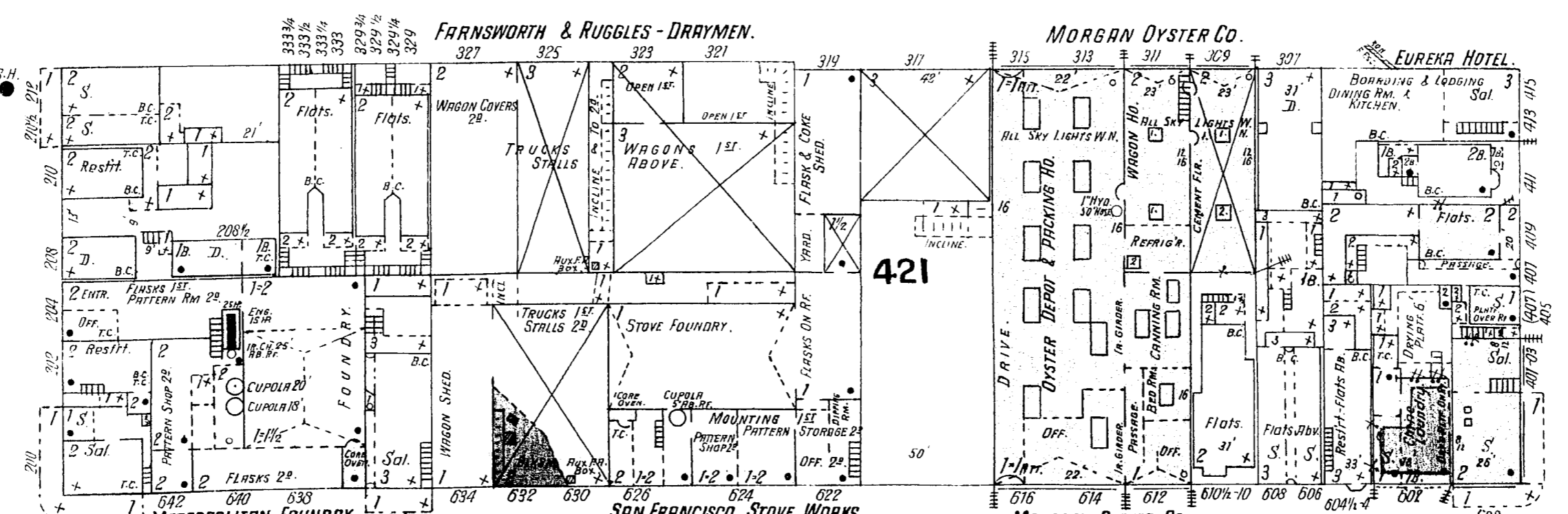
CROOK ST.



CLYDE 14 feet wide.



RITCH 35 feet wide.



THIRD

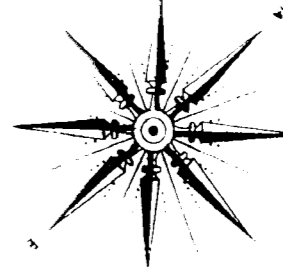
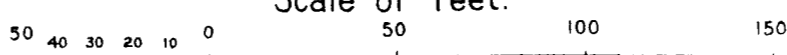
6" W PIPE
8 1/2" W PIPE
12" W PIPE
18" W PIPE

6" W PIPE
8 1/2" W PIPE
12" W PIPE
18" W PIPE

SAN FRANCISCO STOVE WORKS.

No WATCHMAN - MAN WORKS ON PREMISES NEARLY ALL NIGHT.
POWER ELECTRICITY - FUEL CONE - LIGHTS INTERMITS.
SMALL HYDRANTS & HOSE - 8" WATER BARRELS & PAILS ON ROOF.

Scale of Feet.



6" W PIPE
8 1/2" W PIPE
12" W PIPE
18" W PIPE

6" W PIPE
8 1/2" W PIPE
12" W PIPE
18" W PIPE

BRANNAN

CALIFORNIA CANNING CO. (LTD.) CALIFORNIA WINE ASSOCIATION - DEPT OF S. LACHMAN & CO. FRUIT & VEGETABLES CANNERY.

CLINTON E. WORDEN & CO. MFG PHARMICIST. SOUTHERN HOTEL. DINING RM. & KITCHEN. B.C. BOARDING & LODGING. FLATS. CORRIDOR. OFFICES. ALL FLOORS.

FARNSWORTH & RUGGLES - DRYMEN. MORGAN OYSTER CO. EUREKA HOTEL. SAN FRANCISCO STOVE WORKS. MORGAN OYSTER CO. FLATS. CORRIDOR. OFFICES. ALL FLOORS.

6" W PIPE
8 1/2" W PIPE
12" W PIPE
18" W PIPE

6" W PIPE
8 1/2" W PIPE
12" W PIPE
18" W PIPE