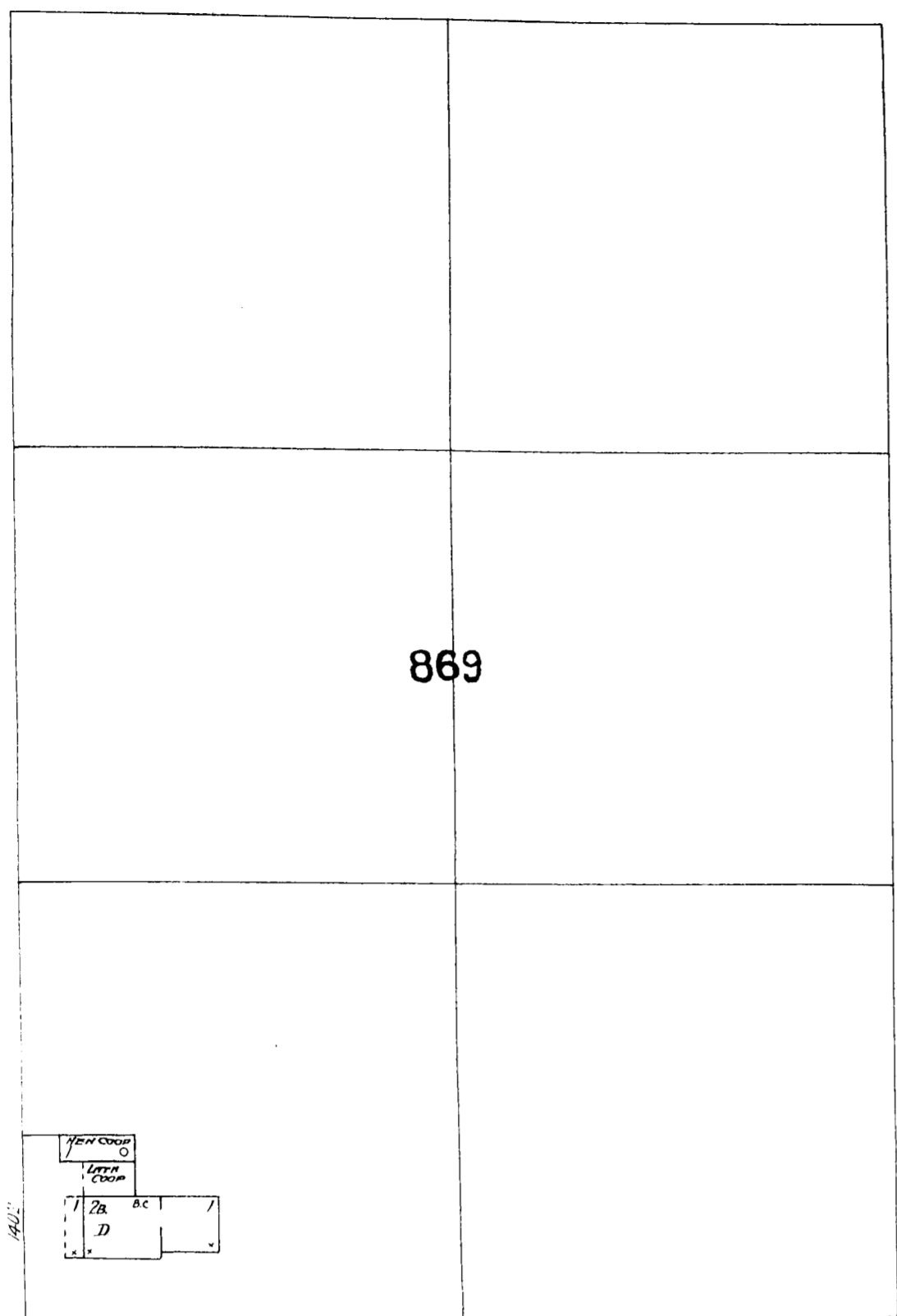


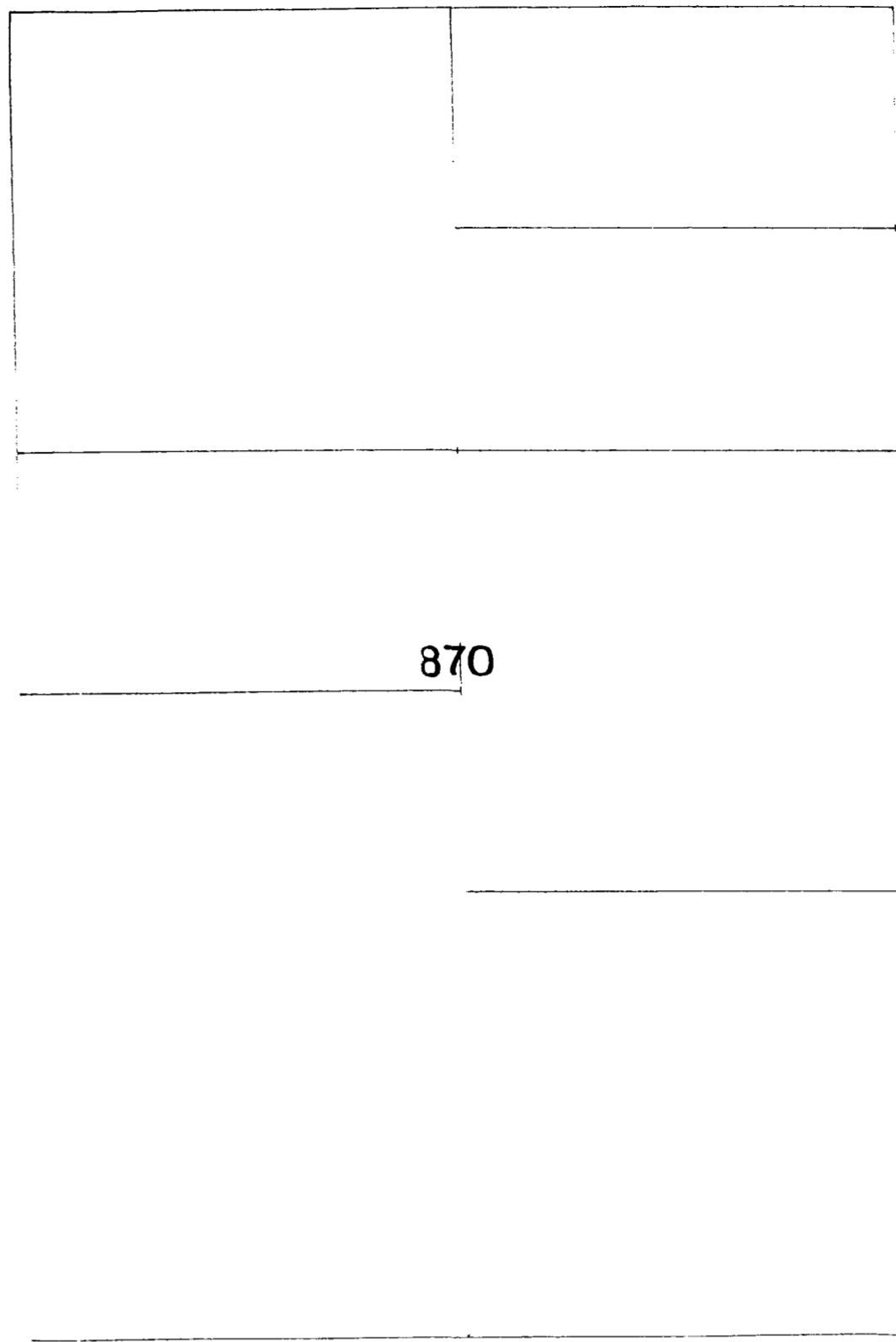
282

GOUGH

ST.



869



870

68'9" wide

51

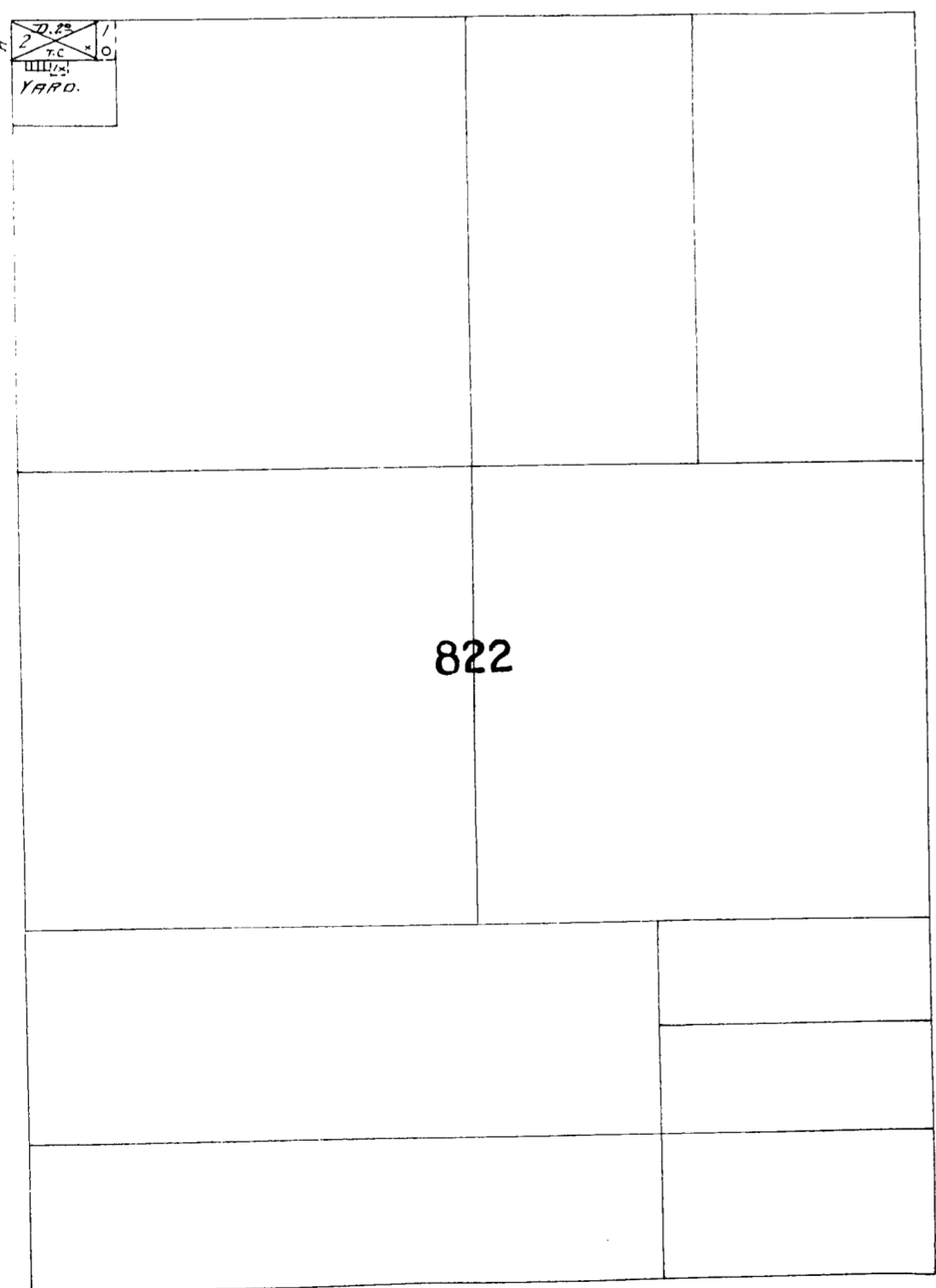
FRANKLIN

58'9" wide

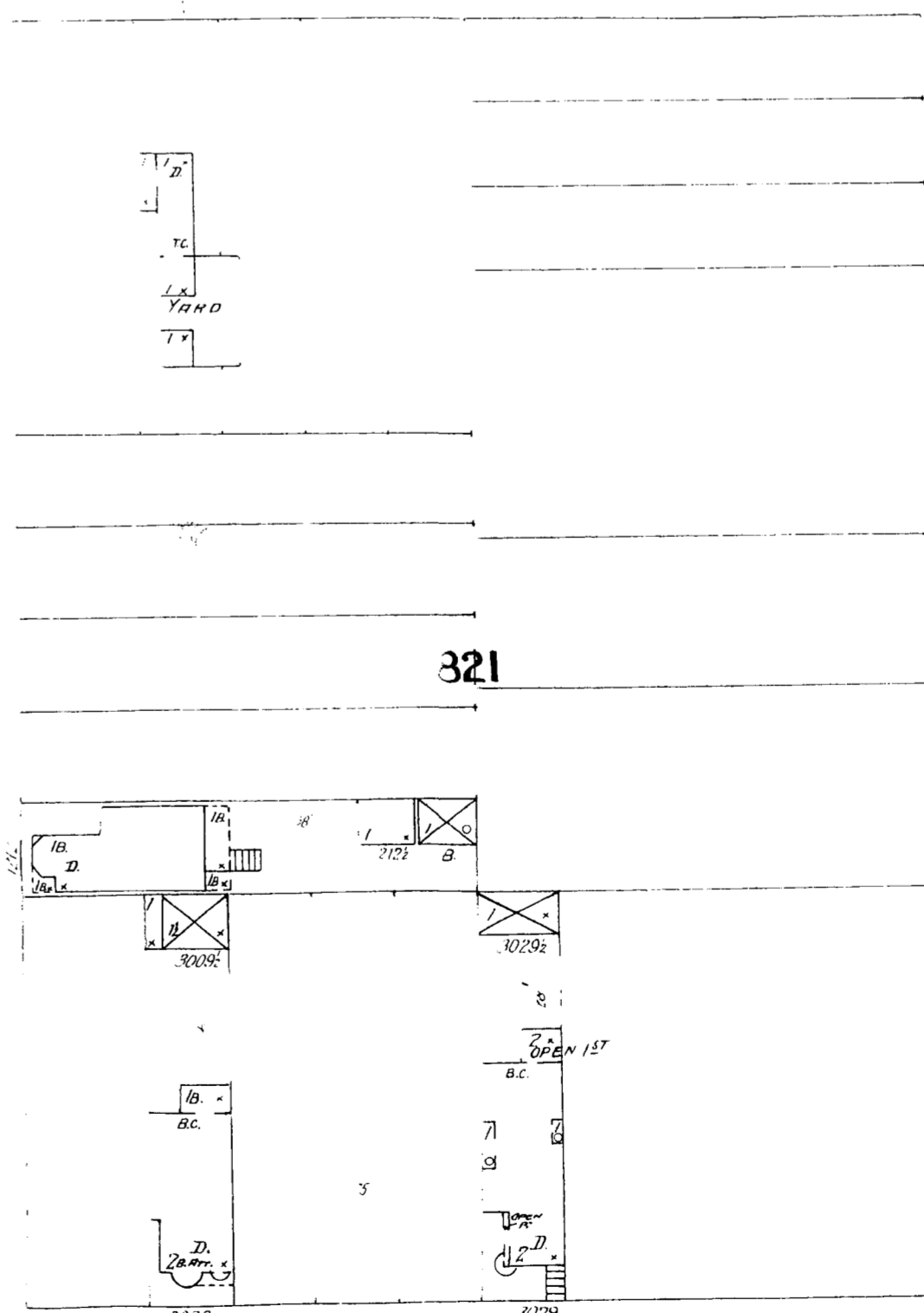
266-65

CHESTNUT

FRANCISCO



822



321

BAY

VAN NESS

AV.

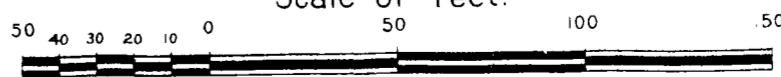
1/8" W. PIPE

3/4" W. PIPE

3" W. PIPE

1" W. PIPE

Scale of Feet.



109 SEE

VOLUME

ONE 110

MASON JUN 1851

11/1/11